

KENWOOD VALVE CONTROLS

LINEAR PNEUMATIC ACTUATOR



General application

Designed for on-off or modulating control of Knife gate valve, Tank Bottom Valve, Globe and Gate valves

Technical data

Thrust : 3 to 68 KN (Kilo Newton)

Supply pressure : 40 to 100 psig (2.8 to 7 bar)

Supply medium : Compressed Air

Temperature rating :

Standard : -30 to 100°C

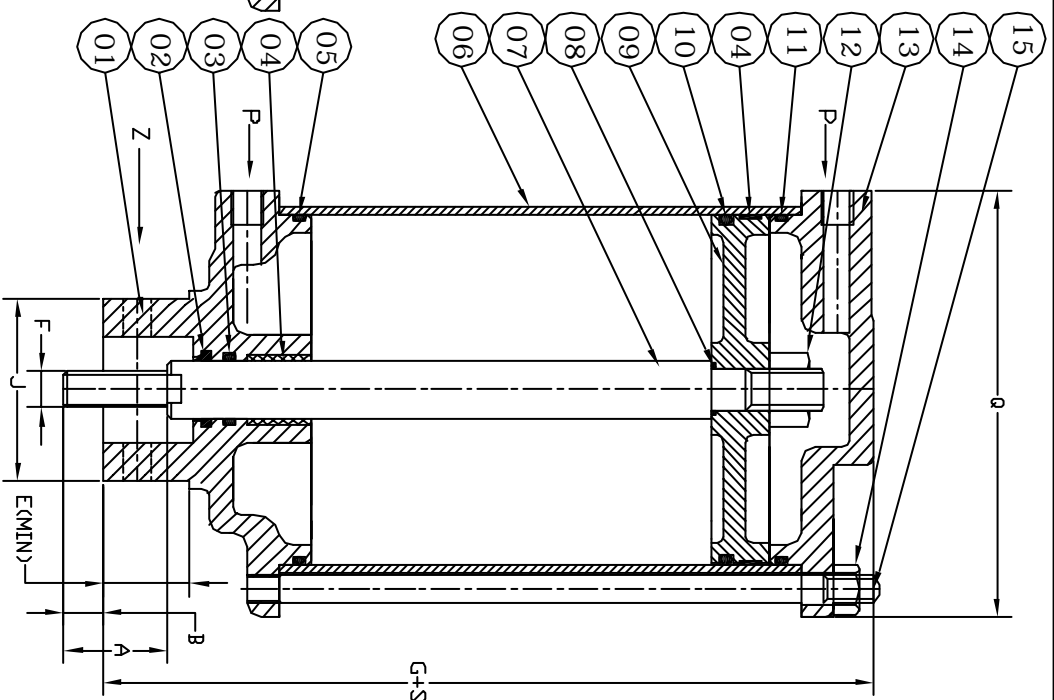
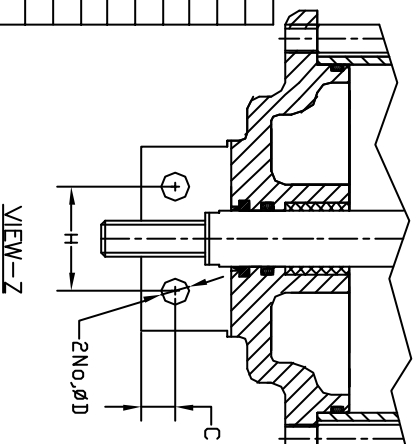
Optional : -55 to 135°C

CYLINDER SHOWN WHEN VALVE IN OPEN CONDITION

Cy Model	Cy Stroke(S)-maximum	A	B	C	ØD	E	F	G	H	J	P	Q
04	700	35	26	15	12	30	M12X1.75	150	54	65	1/4BSP	140
06	700	45	26	15	14	30	M16X2	162	70	80	1/4BSP	200
08	800	45	20	15	14	30	M16X2	172	70	80	1/4BSP	255
10	800	50	15	15	14	30	M20X2.5	200	70	88	3/8BSP	330
12	500	50	15	20	18	40	M20X2.5	206	86	94	3/8BSP	385
12SPL	500	65	50	25	26	50	M24X3	215	106	120	3/8BSP	385
14	800	75	60	30	26	60	M30X3.5	231	126	130	1/2BSP	439
16	800	85	60	30	26	60	M30X3.5	285	126	130	1/2BSP	520
20	1200	110	60	24	26	60	M42X4.5	324	144	150	1/2BSP	625

Cy model coding is as below
04200 means 4" cylinder for 200mm stroke

15	Tie rods	Steel zinc plated
14	Tie rod Nylok nut	Steel Zinc Plated
13	Cylinder Cover	SG Iron Gr.400/15
12	Piston rod Nylok nut	Steel Zinc Plated
11	Piston bearing	Carbon filled Teflon
10	Piston seal	NBR
09	Piston	Cl Gr. FG 260
08	Piston rod seal	NBR
07	Piston rod	EN8D ground & hard chrome plated
06	Cylinder barrel	FRP
05	Cylinder barrel seal	NBR
04	Piston rod Bearing	Phosphorus Bronze
03	Head seal	NBR
02	Piston rod Wiper	NBR
01	Cylinder head	SG Iron Gr.400/12
SI No.	Component	Material



ALL DIMENSIONS IN MM

Cylinders for Gate valve

DRG NO	cy(gv)-GAD	CHD	NMS	APPD	NMS
DRAWN	NMA				
DATE	14-04-09				

KENWOOD VALVE CONTROLS